

# T6

## GORMAN-RUPP PMB

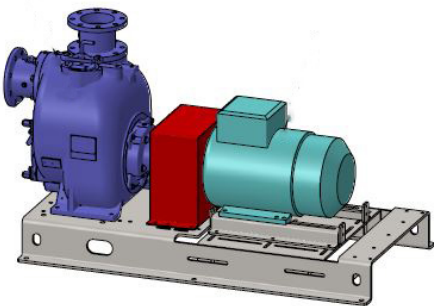
Pump Motor Base

General Description

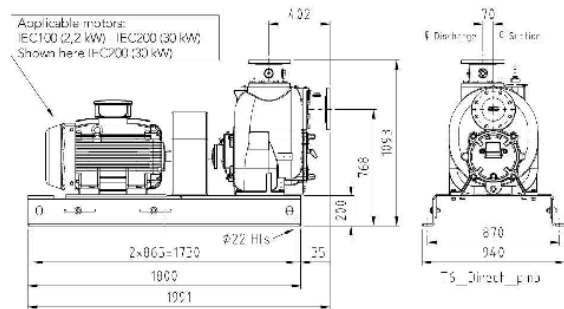


The Gorman Rupp PMB T6 is an electrical driven self priming centrifugal pump set for pumping clean water, dirty water and/or sewage. The pump sets are available in 3 configurations.

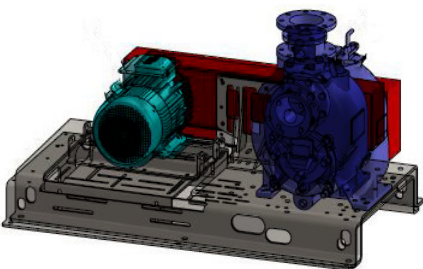
### DIRECT COUPLED



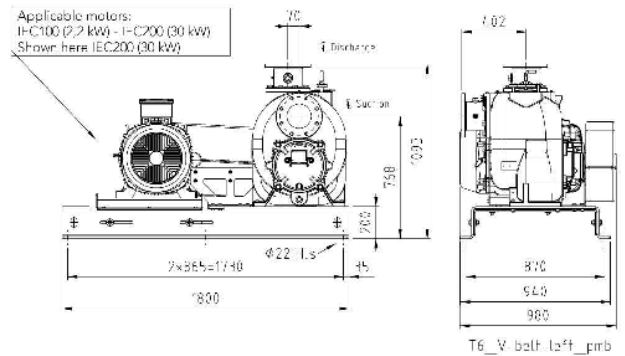
In this version, the motor is connected to the pump by means of a flexible coupling.



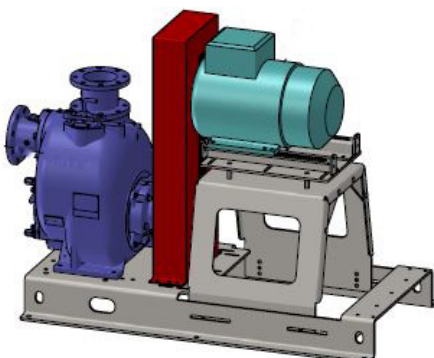
### HORIZONTAL BELT DRIVE



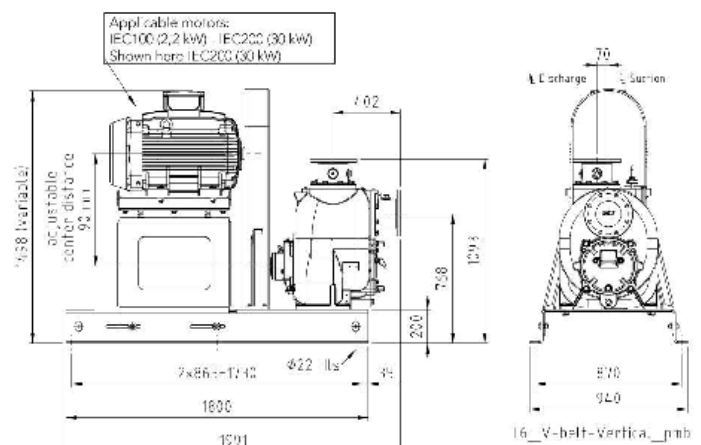
In this version, the motor is connected to the pump by means of a V-belt transmission. By varying the gear ratio, the exact pump speed can be set. The motor can be optionally placed on the left or right hand side of the pump.



### VERTICAL BELT DRIVE



In this version, the motor is connected to the pump by means of a V belt transmission. By varying the gear ratio, the exact pump speed can be set.



# T6

## GORMAN-RUPP PMB

Pump Motor Base

General Description



### PUMP SPECIFICATIONS

The GormanRupp Super T6 hydraulic end for the PMB pumps sets are available in a variety of versions. Table 1 gives you an overview of the various styles of pumps:

| Model | Max. Capacity | Max. Head | Max. Solids handling |
|-------|---------------|-----------|----------------------|
| T6A   | 330           | 33        | 3" / 76,2 mm         |
| T6B   | 340           | 36        | 1,25" / 31,7 mm      |
| T6C   | 330           | 34        | 3" / 76,2 mm         |
| T6F   | 324           | 30        | 2,25" / 57,1 mm      |

Table 1

#### A-version

Basic version of the Super T.

#### B-version

High head version of the Super T.

#### C-version

Basically an A version Super T, fitted with the Eradicator wear plate to prevent clogging from fibrous contents.

#### F-version

The Eradicator PLUS version, for heavy duty applications with organic solids.

### PUMP MATERIAL SPECIFICATIONS

Gorman-Rupp pumps all bear a numeric indication of the material code. This code indicates the main materials used in the pump.

| Material code | Pump Casing | Impeller        | Wear Plate | Wearplate Hardware | Pump Shaft | Seal Plate |
|---------------|-------------|-----------------|------------|--------------------|------------|------------|
| 3             | CI          | DI              | CI         | STEEL              | STEEL      | CI         |
| 60            | CI          | DI              | CI         | STEEL              | STEEL      | CI         |
| 61            | CI          | AISI316         | AISI316    | AISI316            | AISI316    | CI         |
| 65            | CD4MCU      | CD4MCU          | CD4MCU     | AISI316            | AISI316    | CD4MCU     |
| 71            | CI          | ADI             | HS         | STEEL              | STEEL      | ADI        |
| 75            | ADI         | ADI of HiCro-65 | ADI        | STEEL              | STEEL      | ADI        |

Table 2

**ADI:** Austempered Ductile Iron, 400 Brinell

**CD4MCU:** Duplex Stainless Steel, 325 Brinell\*

**CI:** Cast Iron GG30

**ADI:** Ductile Iron

**HiCro 650:** High Chrome alloy 650 Brinell\*

**HS:** Hardened Alloy Steel

**SIC/SIC:** Silicone Carbide Seal Faces

**SST17-4:** Hardened Stainless Steel

**SST316:** Austenitic Stainless Steel grade 316, 150 Brinell

**TC/TC:** Tungsten Titanium Carbide Seal Faces

\* Hardness values (Brinell) are indicative

### PMB FRAME DESIGN

|             |                              |
|-------------|------------------------------|
| Frame       | Steel frame, galvanized      |
| Cover plate | Aluminium, powder coated red |
| Hardware    | Electrogalvanized            |

### TRANSMISSION SYSTEM

|                |                        |
|----------------|------------------------|
| Direct coupled | Flexibel belt coupling |
| Belt drive     | Reinforced V-belts     |
| Safety factor  | 1.2 - 1.5              |

### MOTOR SPECIFICATIONS

3-phase, multi-voltage, IP55; Premium efficiency IE3, IEC induction motor.

**Mouting:** B3

**Voltage:** 220-240/380-415V / 380- 415/660V

**Class:** "F" isolation ( $\Delta T=80K$ )

**Continuous insulation** S1; Design N

Cast iron frame. Suitable for use with an AC drive.

IE4 and IE5 motors and other motor upgrades available on request.