

Mobile and hydraulic: Drum emptying system with follower plate

Due to its infinitely variable operation, the mobile, hydraulic drum emptying system with follower plate from Lutz is especially designed for the gentle emptying of drums filled with high-viscosity, paste-like and viscous substances.

Characteristics/Advantages:

- Gentle operation by manual infinitely variable control of the follower plate via control valve
- Securing the drums by holding clamps
- To be used for cylindrical or slightly conical drums, plastic containers or containers with inliner
- Almost residue-free emptying of the drums
- Pulsation-free pumping/emptying
- Emptying speed adjustable
- No lateral escaping of the medium as follower plate is guided down
- Easy and quick change of sealing lip (on request, follower plate can be adapted to container/drum)
- Can also be used as a mobile drum pump system without the follower plate
- Quick removal of the pump or outer tube for cleaning
- Further options possible



1 Control unit

2 Hydraulic unit with overpressure protection and anti-rotation system

3 Hydraulically controlled supporting arm

4 Three-phase motor with frequency converter

5 Eccentric screw pump

6 Follower plate with sealing lip

7 Holding clamps for drums

Mobile and hydraulic: Drum emptying system with follower plate

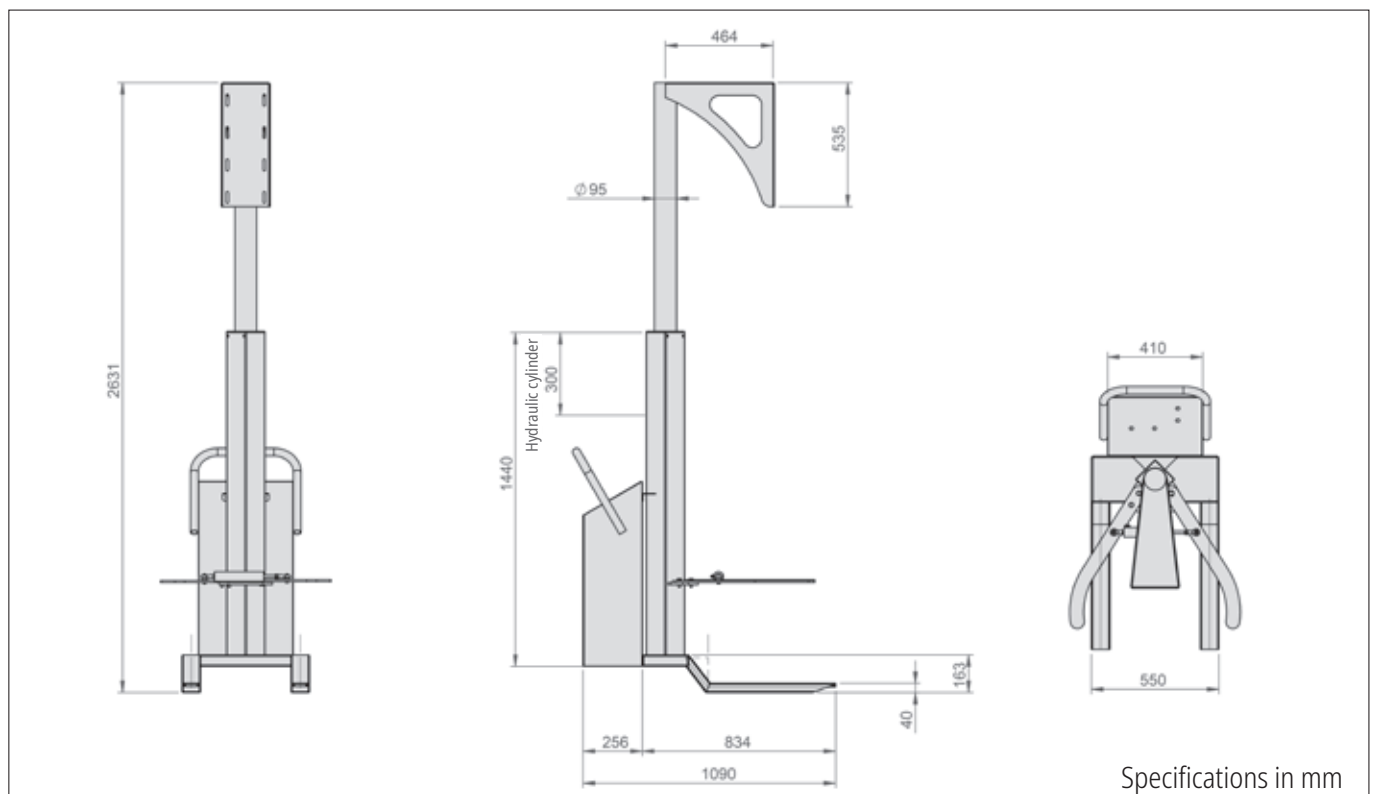


Examples of suitable liquids:

Lipstick, emulsion paint, ice cream, yogurt, tomato paste, honey, fats, glucose, mascara, lip gloss, creams, vaselinish, ointments, jelly, vegetable purée, fruits as well as juices for babies and small children.

Technical data:

| | |
|---|--|
| Material: | stainless steel polished |
| Flow rates (depending on the pump size) | up to 120 l/min. |
| Motors: | Three-phase motors beginning with 0,75 kW, with foot-mounted/ flanged version and frequency converter or gearmotor and compressed air motors |
| Pump: | Eccentric screw pump with Tri-Clamp connection on the pump foot |
| Sealing lip: | EPDM, optionally FKM and PTFE |
| Max. bearing load hydraulic arm: | 100 kg |
| Infinitely variable: | 0-5 cm/s |
| Required power supply: | 400 V/50 Hz, 3-phase, 16 A |
| Lube-free compressed air: | max. 8 bar |
| Dimensions: | Width: 0,55 m Length: 1,14 m Height (lowest position): 2,12 m Height (top position): 2,68 m |
| Weight trolley (without pump): | 140 kg |



Lutz Pumpen GmbH

Erlenstraße 5-7 · D-97877 Wertheim · Phone +49 93 42 / 8 79-0 · Fax: +49 93 42 / 87 94 04 · E-Mail: info@lutz-pumpen.de · www.lutz-pumpen.de/en

Mobile and hydraulic: Drum emptying system with follower plate

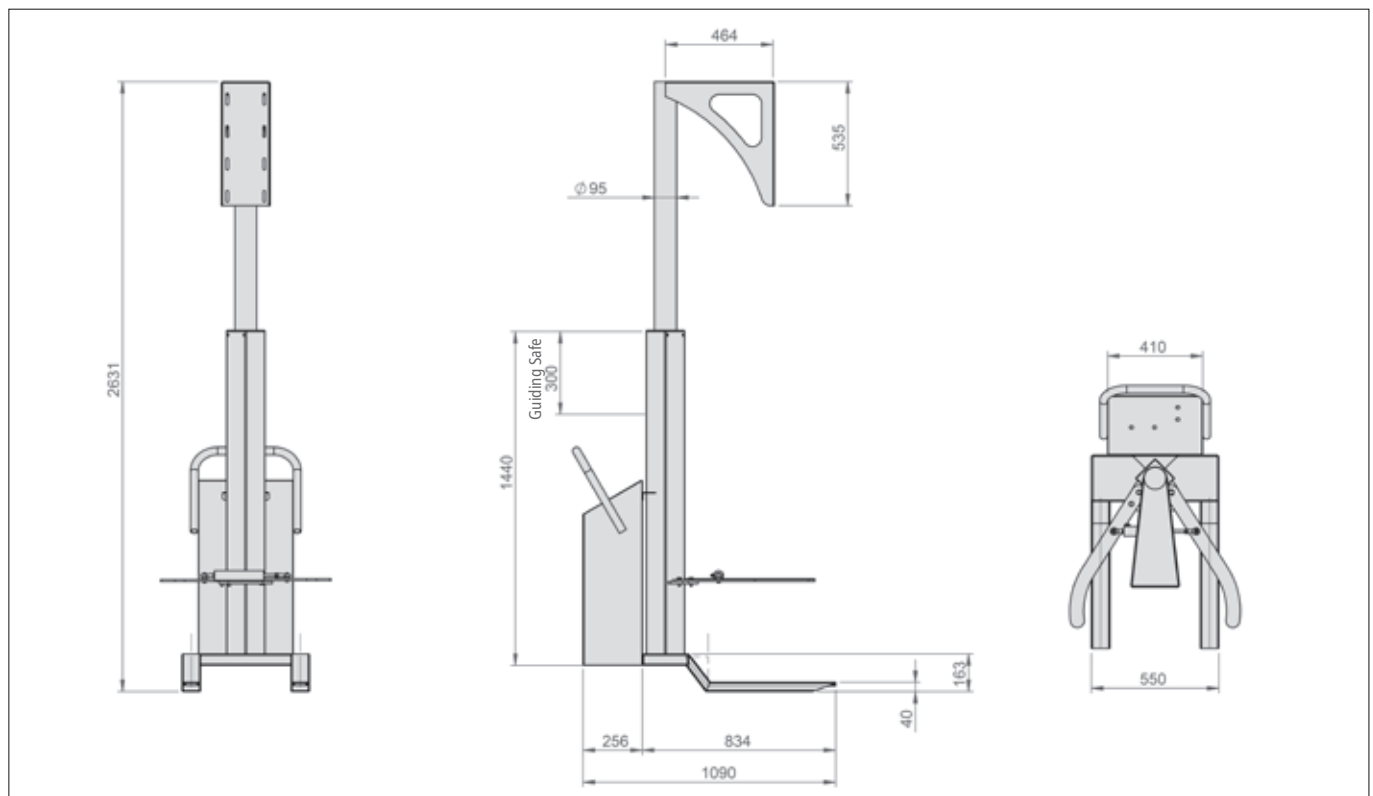


Examples of suitable liquids:

Lipstick, emulsion paint, ice cream, yogurt, tomato paste, honey, fats, glucose, mascara, lip gloss, creams, vaselinish, ointments, jelly, vegetable purée, fruits as well as juices for babies and small children.

Technical data:

| | |
|---|---|
| Material: | stainless steel polished |
| Flow rates (depending on the pump size) | up to 120 l/min. |
| Motors: | Three-phase motors beginning with 0,75 kW, with foot-mounted/flanged version and frequency converter or gearmotor and compressed air motors |
| Pump: | Eccentric screw pump with Tri-Clamp connection on the pump foot Length 800 mm |
| Sealing lip: | EPDM, optionally FKM and PTFE |
| Max. bearing load hydraulic arm: | 100 kg |
| Infinitely variable: | 0-5 cm/s |
| Required power supply: | 400 V/50 Hz, 3-phase, 16 A |
| Lube-free compressed air: | max. 8 bar |
| Dimensions: | Width: 0,55 m Length: 1,14 m Height (lowest position): 2,12 m Height (top position): 2,68 m |
| Weight trolley (without pump): | 140 kg |



Lutz (UK) Limited

Gateway Estate · West Midlands Freeport · Birmingham B26 3QD · Phone: 0121 / 782 2662 · Fax: 0121 / 782 2680
E-Mail: sales@lutzpump.co.uk · www.lutzpump.co.uk