



Hopper with auger

I Application

Thanks to the hopper and auger, the KSFT progressive cavity pumps are suitable for pumping high viscosity products, doughs, pastes and liquids with suspended particles.

I Design and features

KSFT type is a sanitary progressive cavity pump.
 Close-coupled construction with direct coupling to the drive.
 Pump casing with hopper.
 Fixed transmission.
 Eccentric outlet.

I Technical specifications

| | |
|-------------------------------------|---|
| Materials: | |
| Parts in contact with the product | Stainless steel AISI 316L (1.4404) |
| Auger | Stainless steel AISI 304 (1.4301) |
| Other steel parts | Stainless steel AISI 304 (1.4301) |
| Flange support | GG-22 |
| Stator | black NBR (according to FDA and EC 1935/2004) |
| Gaskets in contact with the product | FPM (according to FDA and EC 1935/2004) |

| | |
|---|-----------------------|
| Single internal mechanical seal EN 12756 11k (according to FDA and EC 1935/2004): | |
| Rotary part | Silicon carbide (SiC) |
| Stationary part | Carbon (C) |
| Gaskets | FPM |

| | |
|------------------------|---|
| Surface finish: | |
| Internal | Bright polish, except for electropolished auger |
| External | Matt |

| | |
|---------------------|-----------|
| Connections: | DIN 11851 |
| | CLAMP |
| | SMS |

| | | |
|---|--------------------------------|------------|
| Operating limits (depending on the model): | | |
| Maximum flow | 34 m ³ /h | 148 US GPM |
| Maximum working pressure | | |
| - single stage | 6 bar | 87 PSI |
| - double stage | 12 bar | 174 PSI |
| Maximum working temperature | 85 °C (depending on materials) | 185 °F |
| Maximum speed | 500 rpm | |



I Technical specifications

| Type | Capacity at 100 rev. [l] | Max. flow [m³/h] | Max. pressure [bar] | | Max. speed [rpm] | Min. starting torque [Nm] | |
|---------|--------------------------|------------------|---------------------|--------------|------------------|---------------------------|--------------|
| | | | Single stage | Double stage | | Single stage | Double stage |
| KSFT-20 | 2,8 | 0,82 | 6 | 12 | 500 | 18 | 30 |
| KSFT-25 | 6,7 | 2 | | | 500 | 20 | 36 |
| KSFT-30 | 9,8 | 2,9 | | | 500 | 25 | 45 |
| KSFT-40 | 23,7 | 5,7 | | | 400 | 45 | 80 |
| KSFT-50 | 45,1 | 9,5 | | | 350 | 70 | 125 |
| KSFT-60 | 82 | 17,2 | | | 350 | 110 | 190 |
| KSFT-80 | 185,4 | | | | 300 | 150 | 260 |

I Options

Single flushed mechanical seal (Quench).

Mechanical seal: SiC/SiC.

Gland packing.

Stators: white EPDM and black NBR.

Gaskets: EPDM.

Other types of connections.

Heavy-duty transmission.

Stainless steel trolley.

Electrical control panel.

Cleaning port (CIP).

ATEX certification.

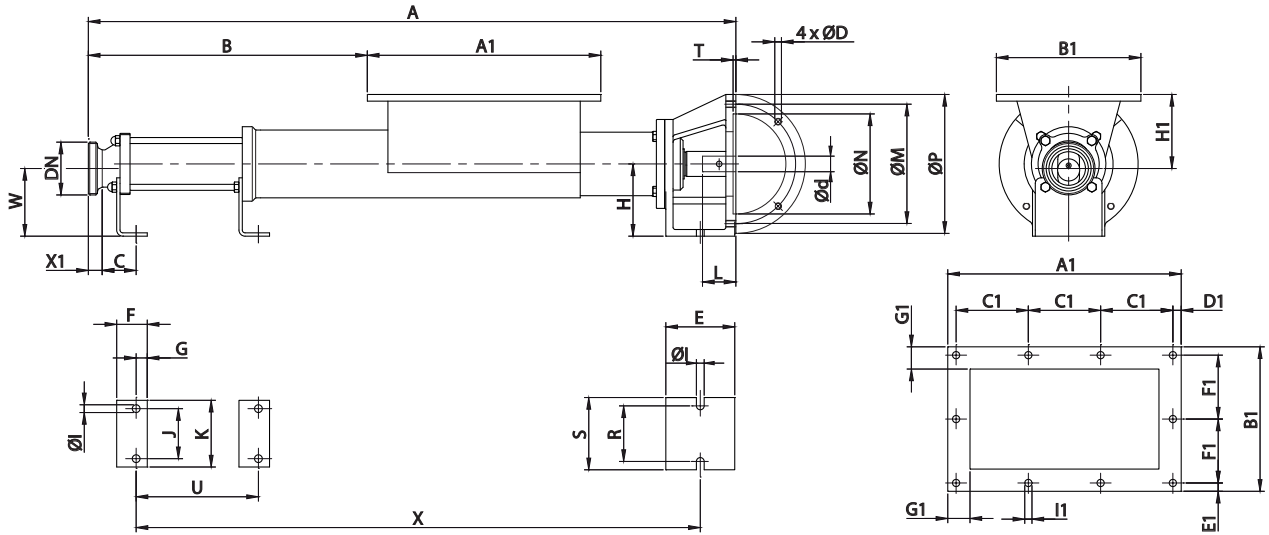
I Dimensions

| Type | A1 | B1 | C1 | D1 | E1 | F1 | G1 | I1 |
|---------------------|-----|-----|-----|------|------|------|----|----|
| KSFT-20 2KSFT-20 | 300 | 210 | 70 | 10 | 10,5 | 63 | 25 | 10 |
| KSFT-25 2KSFT-25 | 365 | 250 | 69 | 10 | 10 | 57,5 | 30 | 12 |
| KSFT-30 2KSFT-30 | 365 | 250 | 69 | 10 | 10 | 57,5 | 30 | 12 |
| KSFT-40 2KSFT-40 | 420 | 260 | 130 | 15 | 15 | 115 | 40 | 14 |
| KSFT-50 2KSFT-50 | 420 | 260 | 130 | 15 | 15 | 115 | 40 | 14 |
| KSFT-60 | 585 | 340 | 110 | 17,5 | 15,5 | 103 | 40 | 14 |
| KSFT-80 | 585 | 340 | 110 | 17,5 | 15,5 | 103 | 40 | 14 |

| Type | DN | DIN 11851 | SMS | CLAMP OD |
|---------------------|-----------|-----------|-----|----------|
| | | X1 | | |
| KSFT-20 2KSFT-20 | 40 1½" | 22 | 23 | 14 |
| KSFT-25 2KSFT-25 | 50 2" | 23 | 23 | 21 |
| KSFT-30 2KSFT-30 | 50 2" | 23 | 23 | 21 |
| KSFT-40 2KSFT-40 | 65 2½" | 25 | 27 | 20 |
| KSFT-50 2KSFT-50 | 80 3" | 40 | 27 | 21 |
| KSFT-60 | 100 4" | 30 | 30 | 21,5 |
| KSFT-80 | 100 4" | 30 | 30 | 21,5 |



I Dimensions



| Type | DN | d | | L | | A | B | C | D | E | F | G | H | H1 | I | J | K | M | N | P | R | S | T | U | X | W | Weight kg | |
|----------|-----|------|------|------|------|------|-----|----|-----|-----|----|----|-----|-----|----|-----|-----|-----|-----|-----|-----|-----|---|-----|------|-----|--------------|--|
| | | min. | max. | min. | max. | | | | | | | | | | | | | | | | | | | | | | | |
| KSFT-20 | 40 | 19 | 24 | 42 | 52 | 667 | 222 | 35 | M8 | 101 | 35 | 12 | 90 | 88 | 11 | 45 | 70 | 130 | 110 | 160 | 70 | 100 | 5 | 105 | 581 | 87 | 11 | |
| 2KSFT-20 | 1½" | | | | | 767 | 322 | | | | | | | | | | | | | | | | | | | | | |
| KSFT-25 | 50 | 24 | 28 | 52 | 62 | 835 | 308 | 39 | M10 | 110 | 40 | 15 | 110 | 128 | 11 | 60 | 90 | 165 | 130 | 200 | 90 | 120 | 5 | 166 | 739 | 107 | 18 | |
| 2KSFT-25 | 2" | | | | | 927 | 400 | | | | | | | | | | | | | | | | | | | | | |
| KSFT-30 | 50 | 24 | 28 | 52 | 62 | 835 | 308 | 39 | M10 | 110 | 40 | 15 | 110 | 131 | 11 | 60 | 90 | 165 | 130 | 200 | 90 | 120 | 5 | 166 | 739 | 104 | 19 | |
| 2KSFT-30 | 2" | | | | | 985 | 458 | | | | | | | | | | | | | | | | | | | | | |
| KSFT-40 | 65 | 24 | 30 | 52 | 72 | 1050 | 427 | 61 | M12 | 124 | 55 | 20 | 130 | 133 | 14 | 90 | 120 | 215 | 180 | 250 | 100 | 130 | 5 | 223 | 925 | 122 | 32 | |
| 2KSFT-40 | 2½" | | | | | 1240 | 617 | | | | | | | | | | | | | | | | | | | | | |
| KSFT-50 | 80 | 24 | 30 | 52 | 72 | 1111 | 488 | 65 | M12 | 124 | 55 | 20 | 130 | 138 | 14 | 90 | 120 | 215 | 180 | 250 | 100 | 130 | 5 | 280 | 982 | 117 | 36 | |
| 2KSFT-50 | 3" | | | | | 1365 | 742 | | | | | | | | | | | | | | | | | | | | | |
| KSFT-60 | 100 | 35 | 42 | 72 | 112 | 1415 | 613 | 70 | M12 | 121 | 60 | 20 | 160 | 174 | 18 | 130 | 170 | 265 | 230 | 300 | 150 | 190 | 5 | 330 | 1283 | 146 | 68 | |
| KSFT-80 | 100 | 35 | 42 | 72 | 112 | 1545 | 473 | 90 | M12 | 121 | 60 | 20 | 160 | 188 | 18 | 130 | 190 | 265 | 230 | 300 | 150 | 190 | 5 | 440 | 1393 | 132 | 85 | |



FT:KIBER_KSFT.1.EN-0317

I Performance chart

