

SVG
SVM

SERO
PumpSystems



Self-priming vertical Side Channel Pump
SVG | SVM.

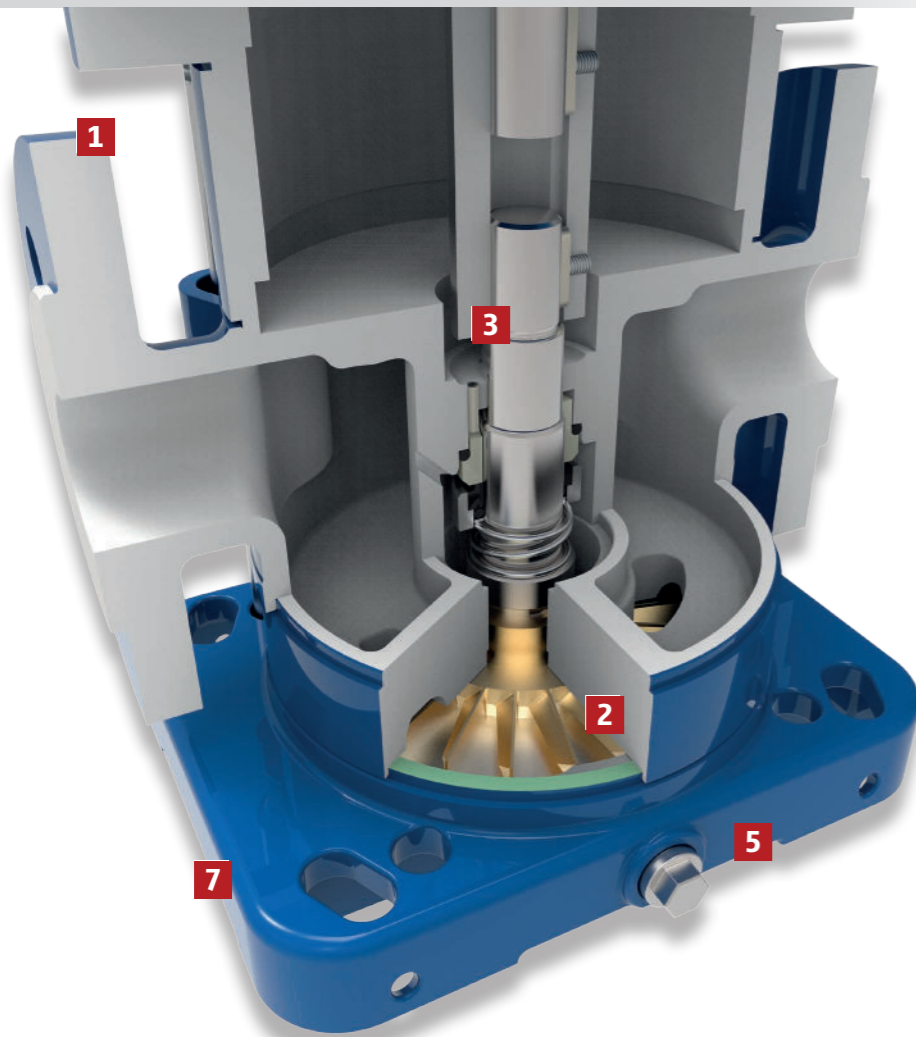
The Inline Expert.

- Gas Handling
- With standardized mechanical seal or magnetic drive
- Ideal for tank farms with minimal space requirement
- Close coupled single-stage design

Vertical – Space-saving installation.
Handling of explosive, aggressive or toxic fluids.

SVG | SVM

SVG with mechanical seal

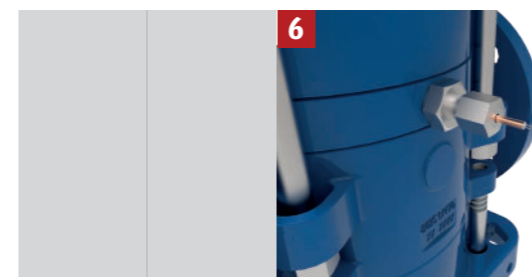


Features

- 1** Inline-design (vertical) for limited space. Flanges acc. to DIN 1092 PN16.
- 2** Open star impeller with balance holes. Axial thrust forces are effectively balanced.
- 3** SVG – Short, rigid shaft and sleeve coupling for ideal quiet running at every load phase.
SVM – Low integrated axial-radial bearing bushing.

Operating Data

SVG SVM 110–550	
Flow rates	0,3 up to 20 m ³ /h (1450 1/min) 0,3 up to 24 m ³ /h (1750 1/min)
Heads	up to 51 m (1450 1/min) up to 74 m (1750 1/min)
Speed	900 - 1800 1/min
Temperature	-20 °C up to +120 °C
Nom. Pressure	up to 16 bar

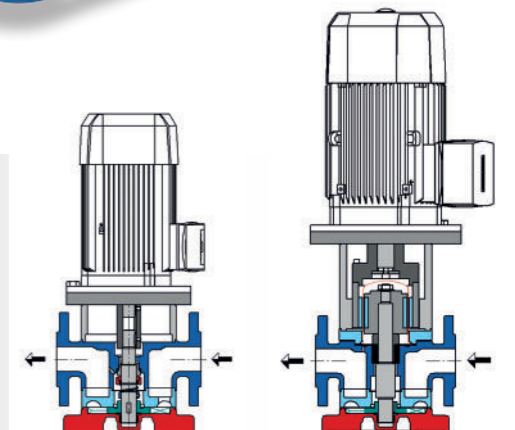
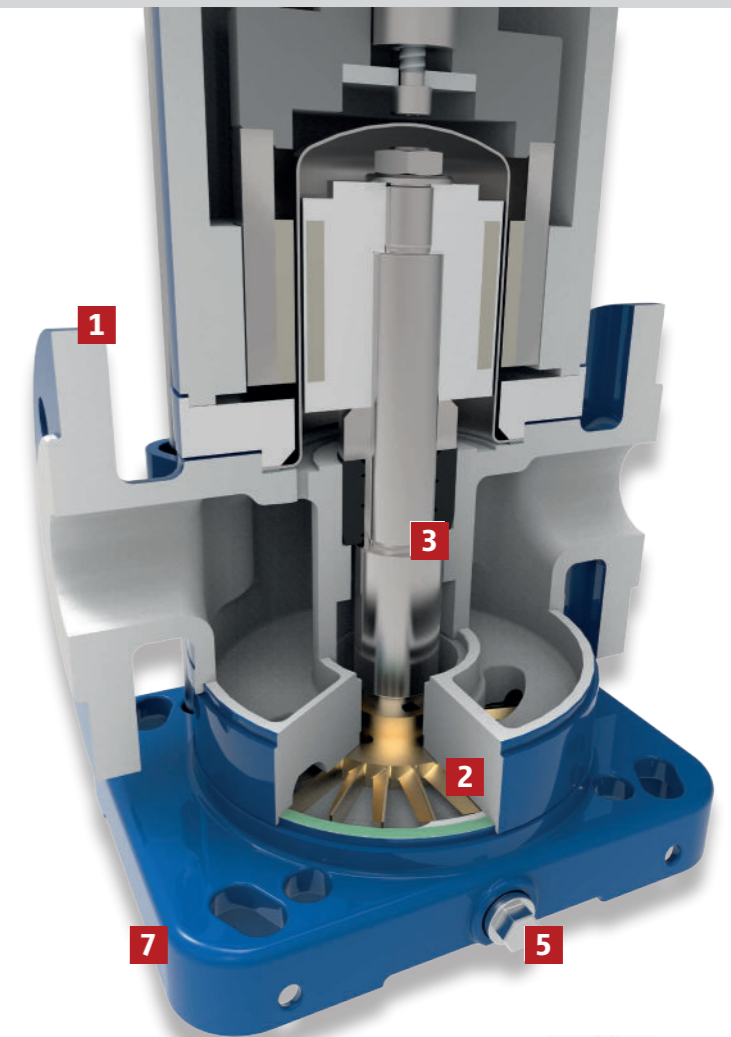


- 4** Medium lubricated bearing bushing made of special carbon at lower base center.
- 5** Drain connection at the base.
- 6** Connection to monitor the split can temperature.
- 7** Vertical design for small foot print.

Construction

SVG SVM 110–550	
Nozzle position	Inline
Flanges	acc. to DIN 1092 PN16
Shaft seal	single, unbalanced mechanical seal magnetic drive
Bearing	Medium lubricated bearing bushing at base. SVG - Motor bearing (with rigid coupling) SVM - Oversized axial-radial bearing bushing
Direction of rotation	counterclockwise (seen from drive end)

SVM with magnetic drive



Material specifications

	ductile iron (60)	ductile iron (62)	stainless steel (32) only for SVM size 110-330
Casings	GJS 400-15	GJS 400-15	1.4408
Channel casing	GJS 400-15	GJS 400-15	1.4470
Base	GJS 400-15	GJS 400-15	1.4470
Shaft	1.4021	1.4021	1.4571
Impeller	CuZn40Al2	1.4059	1.4581
Bearing bushing (base)	Carbon	Carbon	Carbon
Mechanical seal	SVG	single, unbalanced	
Inner rotor (magnetic drive)	SVM	1.4571 [completely encapsulated]	
Axial bearing (magnetic drive)	SVM	Special carbon / 1.4571	
Split can (magnetic drive)	SVM	1.4571	

[Subject to modifications]

Performance range at 1450 min⁻¹

