



I Application

The sanitary and cost-efficient design of the Hyginox SE centrifugal pump makes it particularly suitable as main process pump in the dairy, beverage, pharmaceutical and cosmetic industries.

I Design and features

Hyginox SE is a range of close-coupled centrifugal pumps with sanitary design, compact and efficient. It is made of a cold-formed stainless steel casing, stainless steel open impeller (investment casting), mechanical seal, pump cover, lantern and shaft, connected to the motor shaft by mechanical compression.

The motor complies with the IEC standards, it is protected with a stainless steel shroud and provided with the height adjustable hygienic designed legs.

I Technical specifications

Materials:

Parts in contact with the product	Stainless steel AISI 316L (1.4404)
Other steel parts	Stainless steel AISI 304 (1.4301)
Gaskets in contact with the product	EPDM

Single internal mechanical seal EN 12756 I1k:

Rotary part	C
Stationary part	SiC
Gaskets	EPDM

Surface finish:

External	Bright polish
Internal	Ra<0,8 µm

Connections:

DIN 11851
CLAMP
SMS
(other connections available on request)

Hyginox SE centrifugal pump without shroud



I Technical specifications

Operating limits:

Nominal pressure	10 bar	145 PSI
Temperature range	-10°C to +120 °C	14 °F to 248 °F
	+140°C (SIP, max- 30 min.)	284 °F
Maximum flow	130 m ³ /h	572 US GPM
Maximum differential head	90 m	295 ft
Maximum speed	3500 rpm	

I Motor

Triphasic induction motor with B34 flange (B35 for motor frame 132 and above), in compliance with the IEC standards, 2 poles = 3000/3600 rpm, IE-2 efficiency class, IP 55 protection and F-class insulation.

3 phases, 50 Hz, 220-240 V Δ / 380-420 V Y, \leq 4 kW

3 phases, 50 Hz 380-420 V Δ / 660-690 V Y, \geq 5,5 kW

I Options

Jacketed pump housing.

Drain port.

Different connection types.

SiC/SiC mechanical seal.

Gaskets: FPM and PTFE.

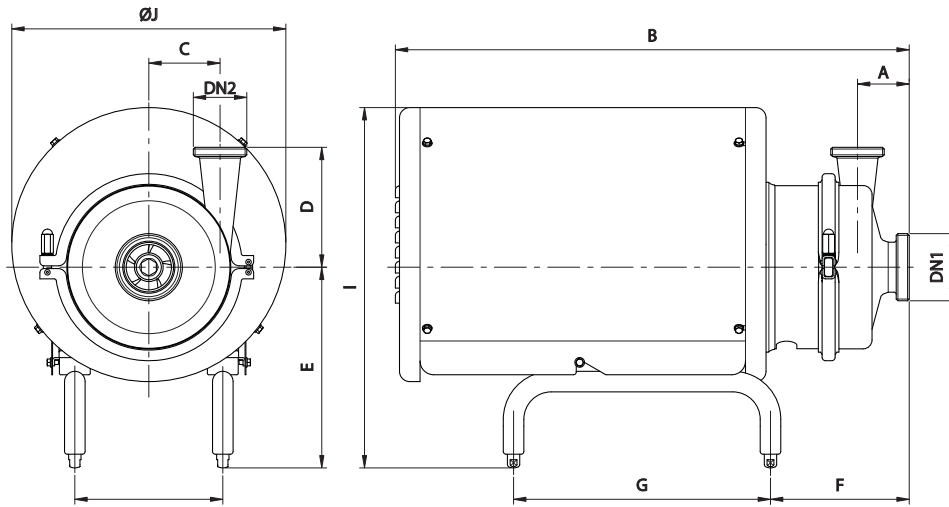
Motor with other voltages, frequencies, protection classes and efficiencies.

Trolley and/or control panel.

ATEX certification (Category 2).



I Dimensions: Hyginox SE



Pump	Motor	kW	RPM	DN1	DN2	A	B	C	D	E	F	G	L	I	ØJ	kg	
SE-15	A	71	0,25	1450	40 1 1/2"	32 1 1/2"	55	440	100	203	111	250	112	347	230	14	
			0,37	2950				440		55	203	111	250	112	347	230	14
			0,55					440			203	111	250	112	347	230	15
SE-20	C	90S	1,1	1450	50 2"	40 1 1/2"	55	528	140	227	154	275	132,5	411	290	28	
			1,5	2950				528		74	140	227	154	275	132,5	411	290
		90L	2,2					528			140	227	154	275	132,5	411	290
SE-26	C	90S	1,1	1450	65 3"	50 2"	55	536	150	227	162	275	132,5	411	290	29	
	D	100	3	610				266		159	325	175	481	350	44		
	E	112	4	2950				610		278	166	325	175	493	350	47	
			5,5	610				278		166	325	175	493	350	50		
	F	132S	5,5					740		293	193	375	216	526	400	75	
SE-28	C	90S	1,1	1450	40 1 1/2"	40 1 1/2"	65	531	165	227	157	275	132,5	411	290	34	
			1,5	2950				531		227	157	275	132,5	411	290	33	
		90L	2,2					531		227	157	275	132,5	411	290	36	
	D	100	3	606				266		154,5	325	175	481	350	49		
	E	112	4	2950				606		278	161	325	175	493	350	52	
			5,5	606				278		161	325	175	493	350	55		
	F	132S	5,5					736		293	188	375	216	526	400	80	
SE-35	C	90L	1,5	1450	65 3"	50 2"	75	545	175	227	171	275	132,5	411	290	38	
			2,2	2950				620		266	168	325	175	481	350	47	
	E	112	5,5	2950				620		278	175	325	175	493	350	56	
			7,5	750				293		202	375	216	526	400	81		
	F	132S	7,5					750		293	202	375	216	526	400	87	
SE-36	C	90L	1,5	1450	100 4"	65 3"	75	546	181,5	227	172,5	275	132,5	411	290	41	
			2,2	2950				620		266	168,5	325	175	481	350	50	
	D	100	3	2950				620		266	168,5	325	175	481	350	53	
			4	620				278		175,5	325	175	493	350	62		
	F	132S	7,5	2950				750		293	202,5	375	216	526	400	90	

Dimensions with DIN 11851 connections

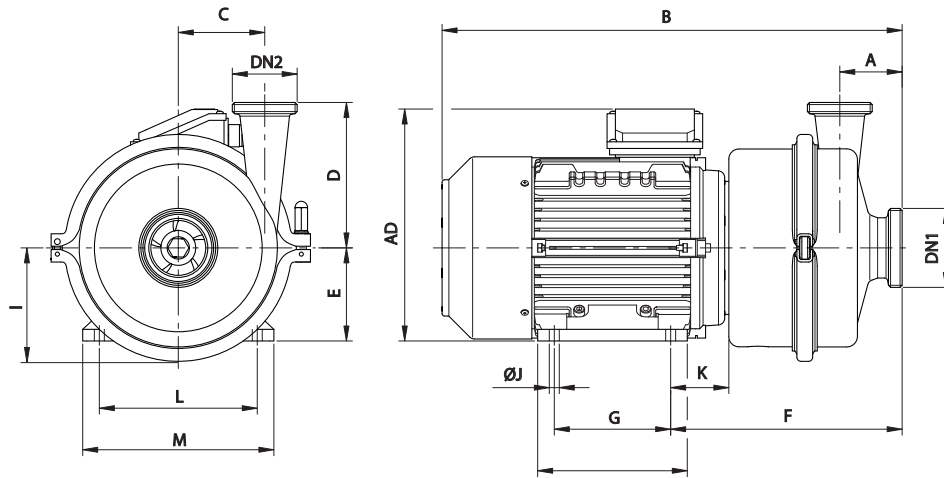


The information is for guidance only. We reserve the right to modify any material or feature without notice in advance. Photos are not binding. For further information, please, consult our web site. www.inoxpa.com



FT-HYGINOX SE.2.EN-0316

I Dimensions: Hyginox SE without shroud



Pump	Motor	kW	RPM	DN1	DN2	A	B	C	D	E	F	G	H	AD	I	ØJ	K	L	M	kg	
SE-15	A	71	0,25	1450	40 1 1/2"	32 1 1/2"	55	368	55	100	71	201	90	105	190	80	7	45	112	137	10
			0,37	2950				368			71	201	90	105	190	80	7	45	112	137	10
			0,55					368			71	201	90	105	190	80	7	45	112	137	11
SE-20	C	90S	1,1	1450	50 2"	40 1 1/2"	55	457	74	140	90	238	100	130	240	105	10	56	140	175	23
			1,5	2950				457			90	238	100	130	240	105	10	56	140	175	22
			2,2					482			90	238	125	155	240	105	10	56	140	175	24
SE-26	C	90S	1,1	1450	65 3"	50 2"	55	465	72	150	90	246	100	130	240	105	10	56	140	175	23
			3	528				100			263	140	180	265	105	12	63	160	200	35	
	E	112	4	2950				545			112	270	140	180	291	105	12	70	190	230	38
			5,5					545			112	270	140	180	291	105	12	70	190	230	42
			5,5					610			132	312	140	190	332	105	12	75	216	255	64
SE-28	C	90S	1,1	1450	40 1 1/2"	40 1 1/2"	65	460	107	165	90	241	100	125	240	137	10	56	140	175	28
			1,5	460				90			241	100	125	240	137	10	56	140	175	28	
		2,2	485	90				241			125	155	240	137	10	56	140	175	30		
	D	100	3	2950				523			100	258	140	180	265	137	12	63	160	200	40
			4					540			112	265	140	180	291	137	12	70	190	230	43
	E	112	4	2950				540			112	265	140	180	291	137	12	70	190	230	47
			5,5					605			132	307	140	190	332	137	12	75	216	255	69
SE-35	C	90L	1,5	1450	65 3"	50 2"	75	499	104	175	90	255	125	155	240	137	10	56	140	180	32
			2,2	537				100			272	140	180	265	137	12	63	160	200	38	
	E	112	5,5	2950				554			112	279	140	180	291	137	12	70	190	230	48
			5,5					619			132	321	140	190	332	150	12	75	216	255	70
			7,5					619			132	321	140	190	332	150	12	75	216	255	76
SE-36	C	90L	1,5	1450	100 4"	65 3"	75	500	98	181,5	90	255	125	155	240	137	10	56	140	180	35
			2,2	547				100			272	140	180	265	137	12	63	160	200	41	
	D	100	3	1450				547			100	272	140	180	265	137	12	63	160	200	44
			4					554			112	279	140	180	291	137	12	70	190	233	53
			7,5					619			132	321	140	190	332	150	12	75	216	255	79

Dimensions with DIN 11851 connections



The information is for guidance only. We reserve the right to modify any material or feature without notice in advance. Photos are not binding. For further information, please, consult our web site. www.inoxpa.com

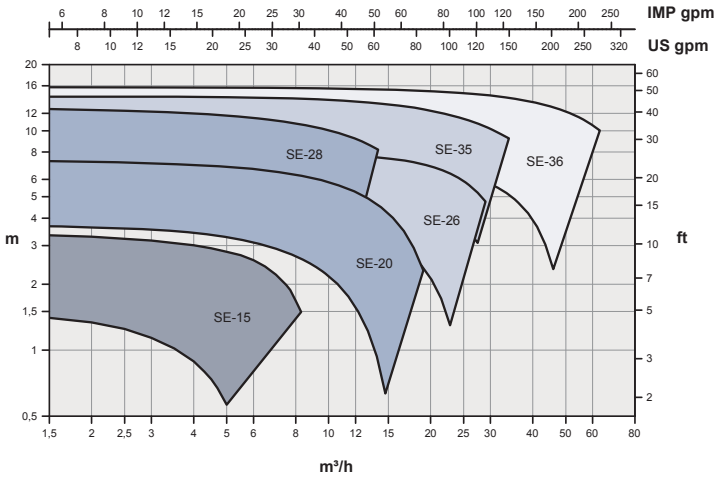


FT-HYGINOX SE.2.EN-0316

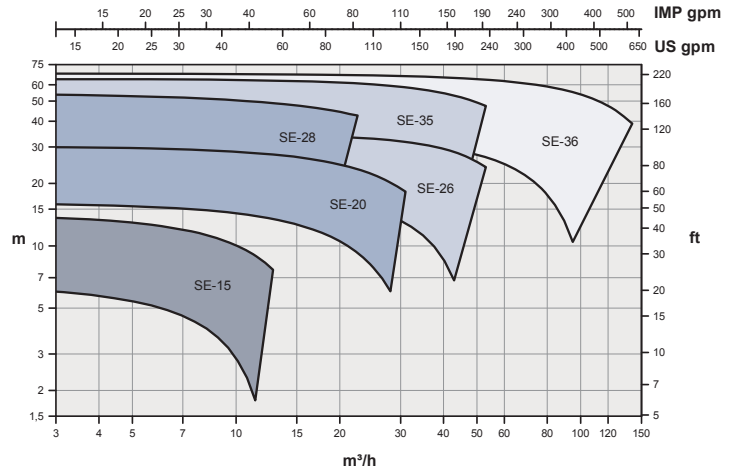
Performance charts

50 Hz

1450 rpm

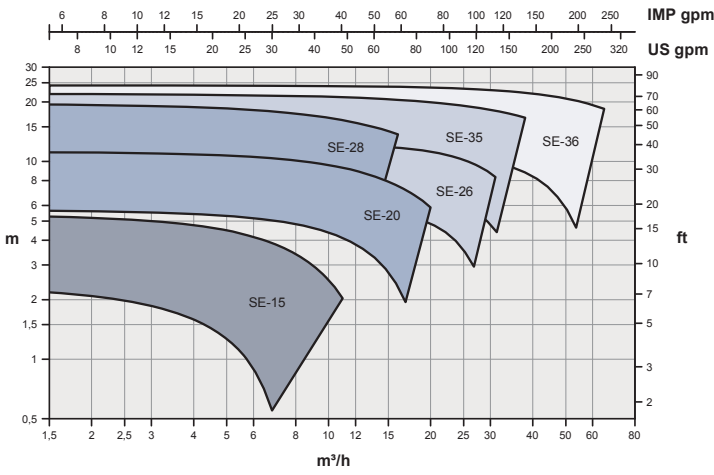


2900 rpm

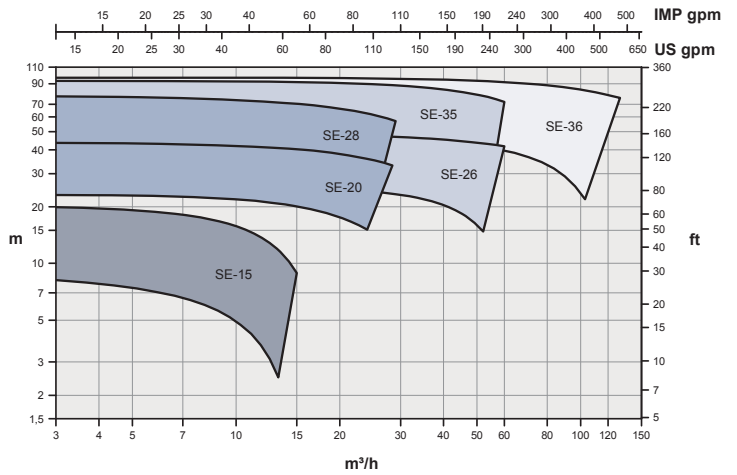


60 Hz

1750 rpm



3500 rpm



The information is for guidance only. We reserve the right to modify any material or feature without notice in advance. Photos are not binding. For further information, please, consult our web site. www.inoxpa.com



FT-HYGINOX SE.2.EN-0316