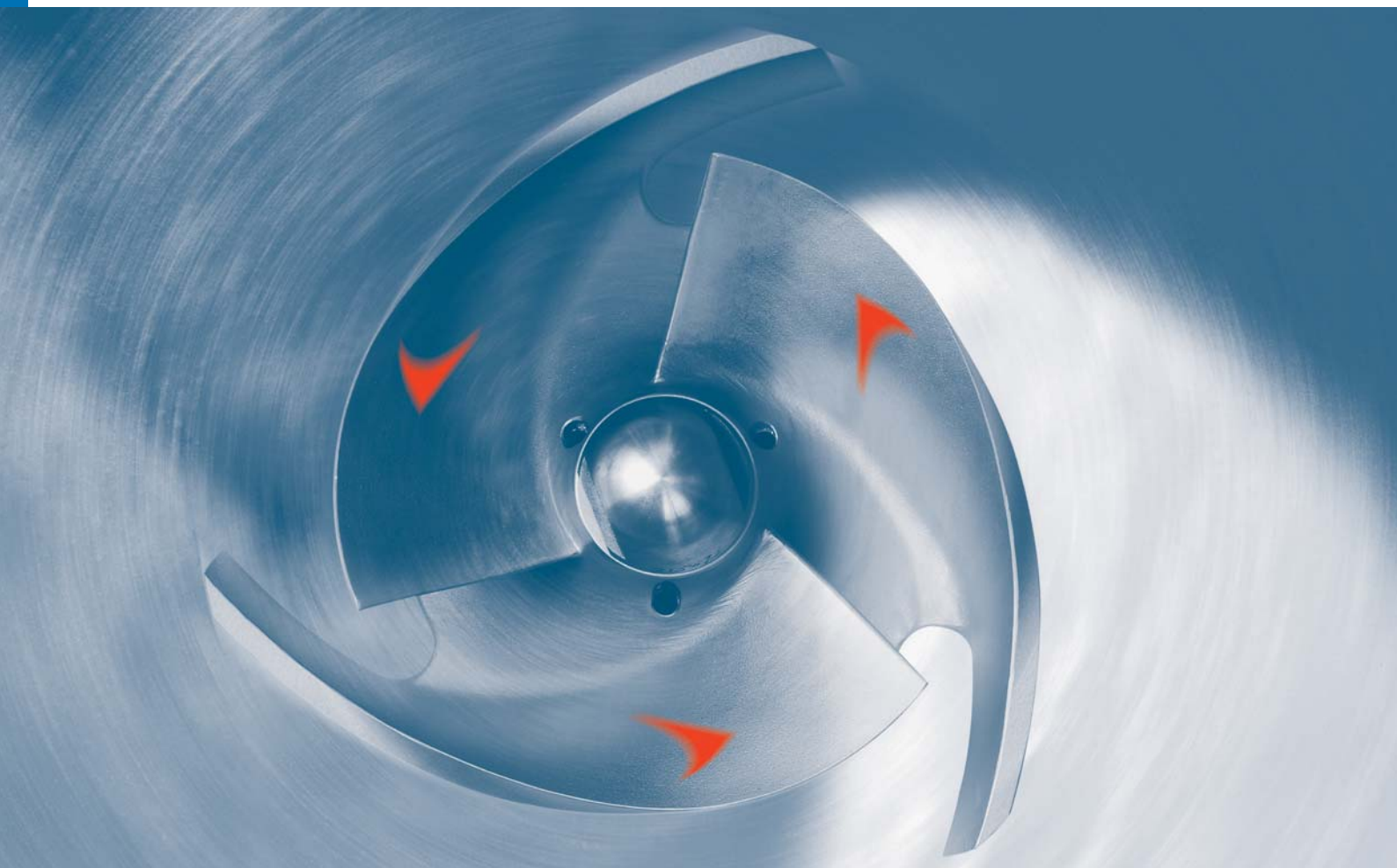


ANDRITZ centrifugal pump

S series



For clean and solids-containing media

For over 100 years, ANDRITZ has been a byword for competence and innovation in designing centrifugal pumps.

As suppliers of complete production systems for the pulp and paper industry we have acquired broad expertise of the related process technologies – the basis for our successful development of components for conveying stock and pulp.

ANDRITZ centrifugal pumps, S series, are operating successfully all over the world. They offer robustness and wear resistance and thus fulfil high customer expectations in terms of efficiency, life cycle, maintenance friendliness and economic efficiency.

Modular system

The standard components in ANDRITZ pumps provide high availability and enable the use of proven components.

Fields of application:

- Pulp production
- Recycled fibre preparation
- Papermaking
- Chemical industry
- Food industry
- Energy supply
- Water supply
- Waste water treatment

The facts:

- Flow rates up to 4000 m³/h
- Heads up to 140 m
- Casing pressure up to 16 bar
- Temperature up to 140°C
- Consistency up to 6%

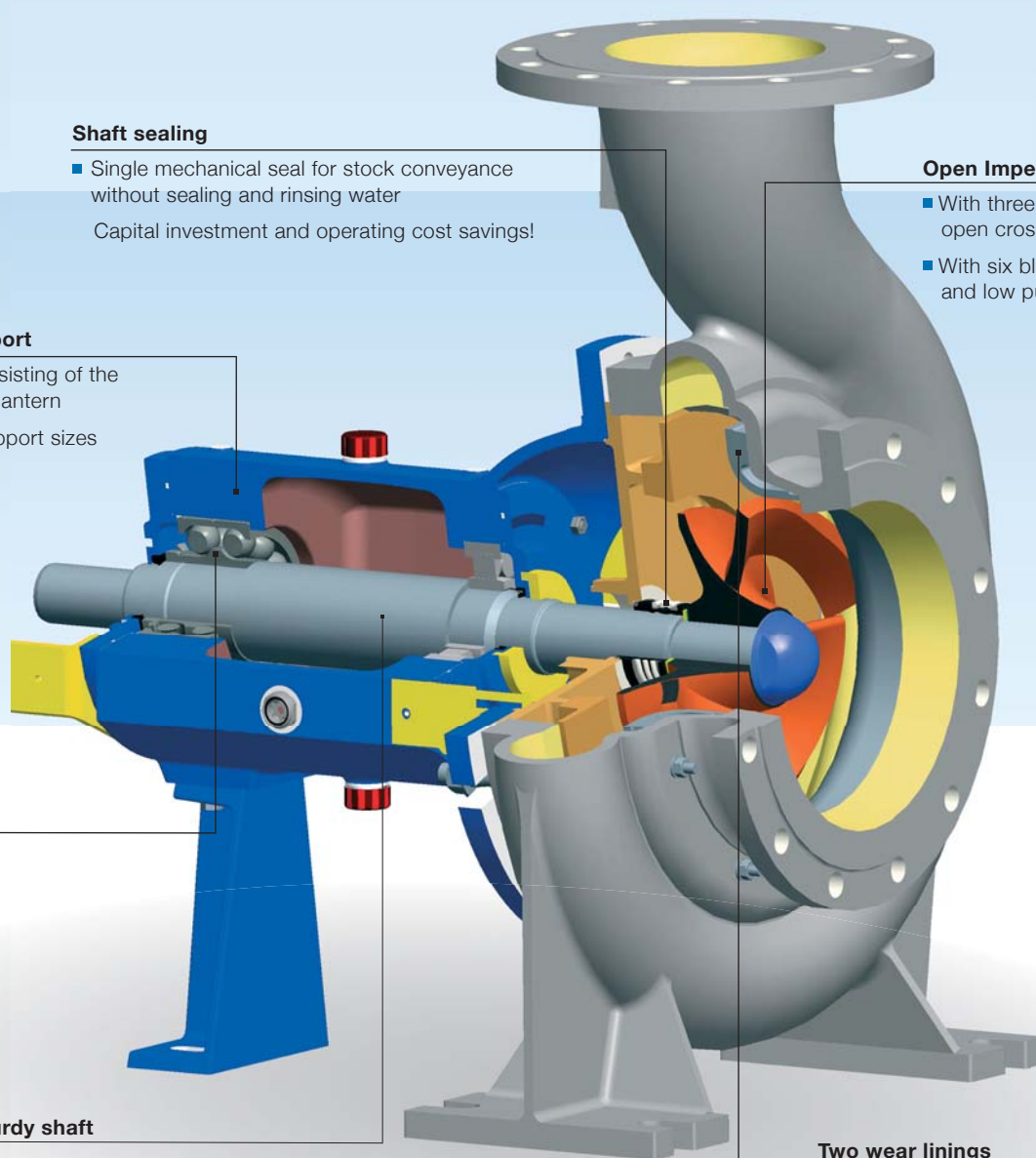


Technology to convince you

The high standard of ANDRITZ centrifugal pumps, S series, is based on decades of experience in designing hydraulic machines and on extensive process know-how.

Proven open-impeller design

The open-impeller design of the ANDRITZ centrifugal pumps S series is characterized by low axial thrust. With its open channels, it is suitable for conveying many different media.



Shaft sealing

- Single mechanical seal for stock conveyance without sealing and rinsing water
Capital investment and operating cost savings!

Open Impeller

- With three blades for a large open cross section
- With six blades for high pressures and low pulsations

Sturdy bearing support

- A single casting consisting of the bearing casing and lantern
- Only five bearing support sizes for the entire series

Oversized bearings

Long service life!

Sturdy shaft

Ensures minimum shaft deflection and low mechanical vibration!

Two wear linings

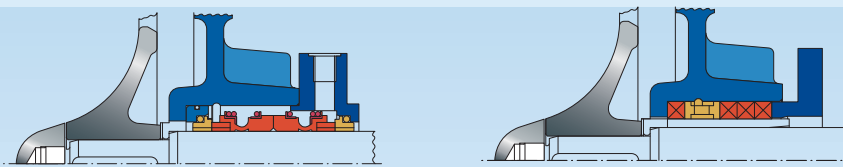
To protect the pump casing and casing cover!

High research and development capabilities

We run a pilot plant at our affiliate ASTRÖ, which enjoys international renown for its hydraulic developments and investigations. The high quality, safety and reliability of the S series pumps are ensured by extensive model testing.

Modular sealing system

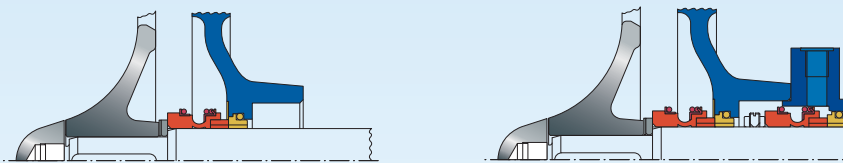
Easy adaptation to changed conditions at low cost:



Back-to-back mechanical seal



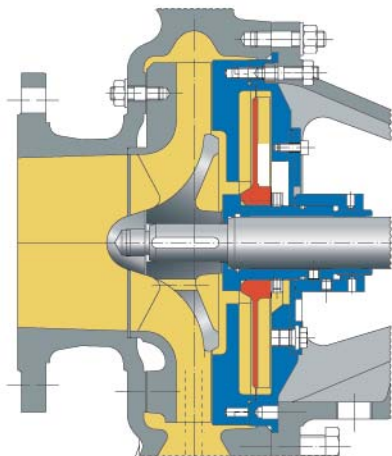
Stuffing box gland



Single mechanical seal



Tandem mechanical seal

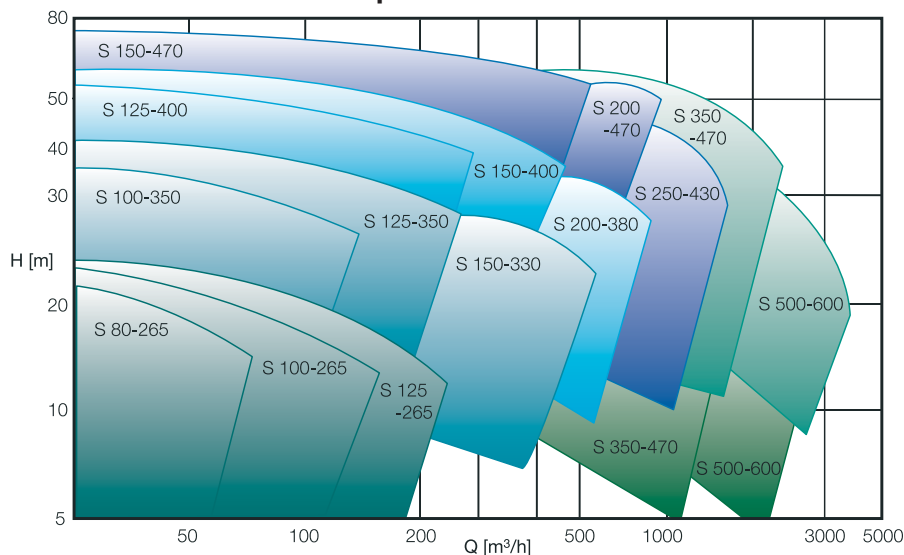


Cartridge-type dynamic seal,
all parts made of stainless,
acid-proof steel

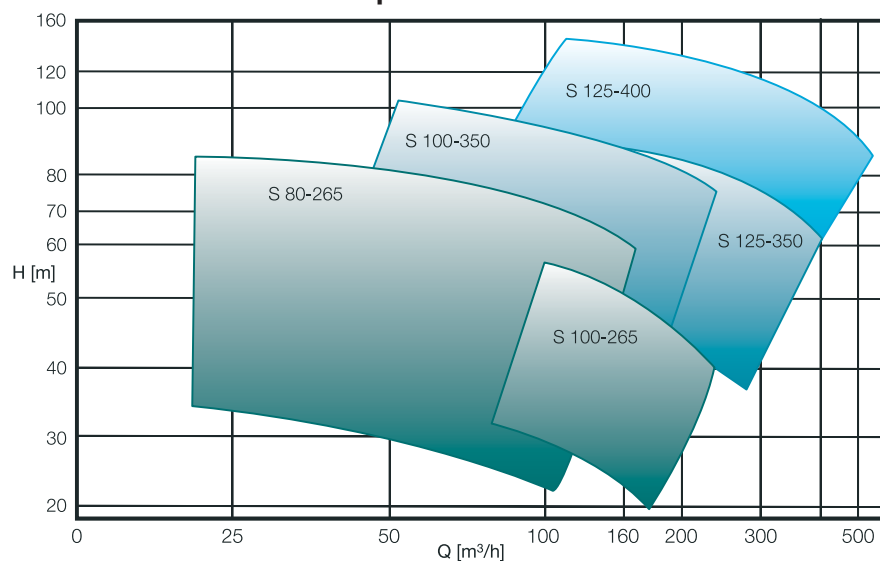
Characteristic curves

ANDRITZ centrifugal pumps, S series

Characteristic curve 1500 rpm



Characteristic curve 3000 rpm

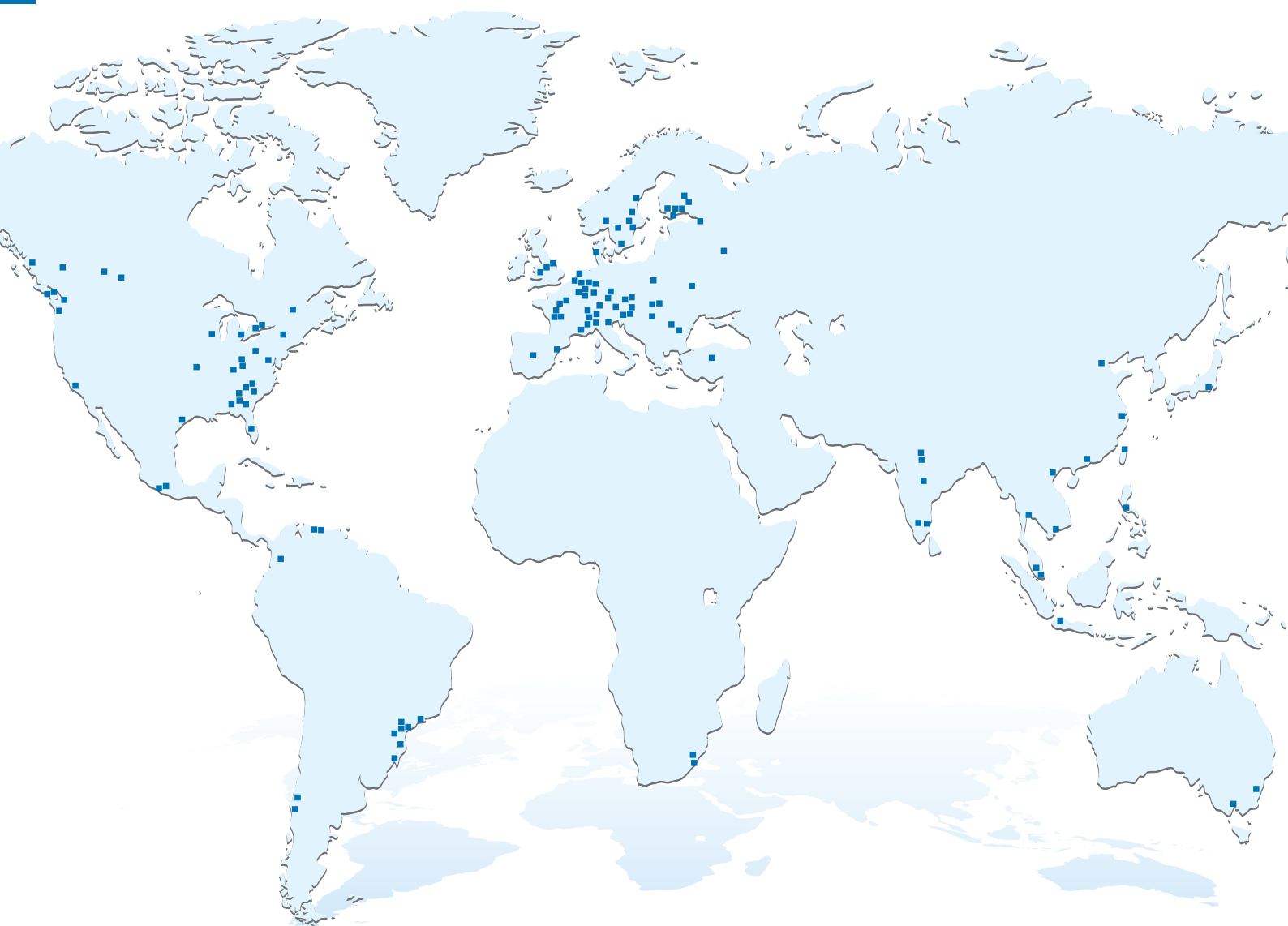


Material combinations

S series	EN-GJL 250	1.4460	1.4021	1.4462	1.4517	1.4517 h	1.4404	1.4439	1.4468
Impeller		■				■			
Casing/casing cover	■	■							
Bearing housing	■								■
Front and rear lining		■				■			
Stuffing box body	■	■							
Shaft			■	■			■	■	

European standard		US standard	
Number	Name	Grade	UNS
EN-JL1040	EN-GJL 250	Class 40B	/
1.4460	X3CrNiMoN27-5-2	Grade 1A	J93370
1.4021	X20Cr13	420	S42000
1.4462	X2CrNiMoN22-5-3	S32205	S32205
1.4517	GX2CrNiMoCuN25-6-3-3	Grade 1C	J93373
1.4517 hardened	GX2CrNiMoCuN25-6-3-3	Grade 1C	J93373

Close to our customers

**ANDRITZ AG**

Stattegger Strasse 18
8045 Graz, Austria
Phone: +43.316.6902-0
Fax: +43.316.6902-413
pumps@andritz.com

www.andritz.com